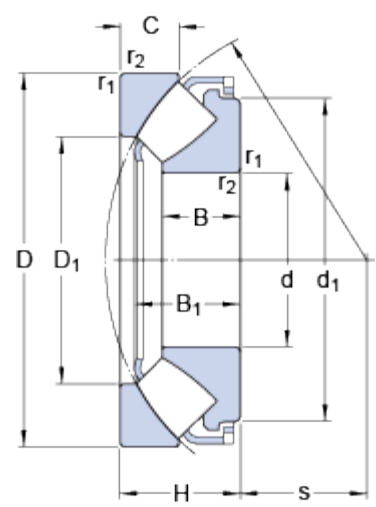




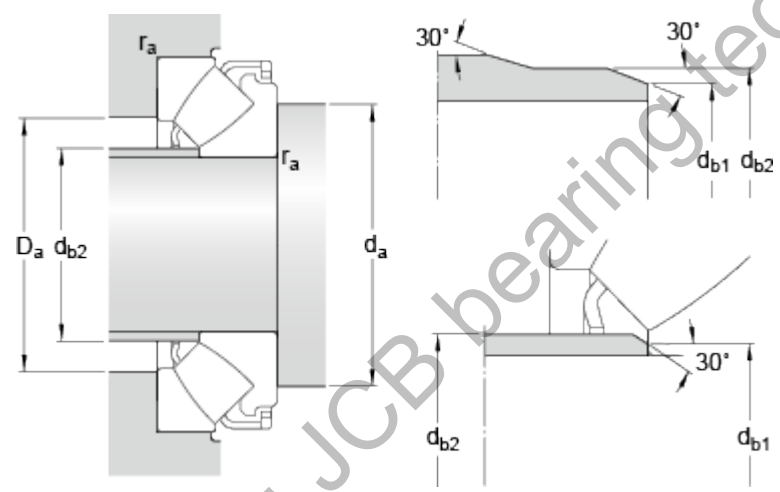
29448

Dimensions



d	240	mm
D	440	mm
H	122	mm
d ₁	≈ 391	mm
D ₁	≈ 322	mm
B	76	mm
B ₁	107.1	mm
C	59	mm
s	142	mm
r _{1,2}	min. 6	mm

Abutment dimensions



d _a	min. 335	mm
d _{b1}	max. 258	mm
d _{b2}	max. 276	mm
D _a	max. 378	mm
r _a	max. 5	mm

Calculation data

Basic dynamic load rating	C	3400	kN
Basic static load rating	C ₀	10200	kN
Fatigue load limit	P _u	930	kN
Reference speed		850	r/min
Limiting speed		1500	r/min
Minimum axial load factor	A	9.9	

Mass

Mass bearing		80	kg
--------------	--	----	----